

See UM Consultant Procedures and Design Guidelines. All design guidelines posted are applicable. Information below supplements and supersedes information provided in Division 12 of those documents.

## **General**

---

1. Interior Plantings are by MUHC. Design and installation considerations for MUHC personnel are included in Appendix A.

## **12 0000 Furnishings**

---

1. All furniture to be specified and procured by MUHC Designers, who will be engaged at the beginning of the project.

## **12 2000 Window Treatments**

---

### 12 2400 Window Shades:

1. Preferred: Chain-driven or motorized mesh roller shades. Manufacturer to be as approved through current University of Missouri Purchasing Agreements.
2. No roof sensors are to be used to control shades without a manual operation override for each individual shade or group of shades.
3. Openness factor of 3% required to provide adequate privacy after dark with the lights on in the room and prevent glare on computer screens.
4. Patient rooms require dual shades with black-out.
5. All window pockets where shades are to be mounted between window wall and dropped ceiling shall be deep enough to accommodate tools required to mount hardware, both horizontal and vertical mounts.

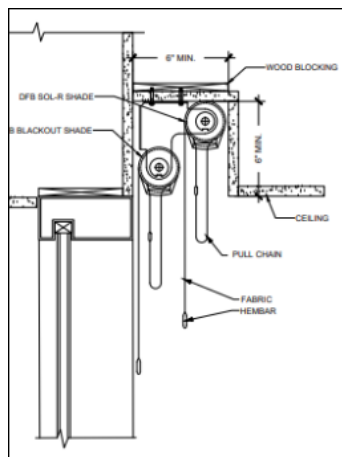


Figure 1 Window Shade Installation

END OF SECTION