

DWN BY: CKD BY:

--	--	--	--	--	--	--	--	--	--	--

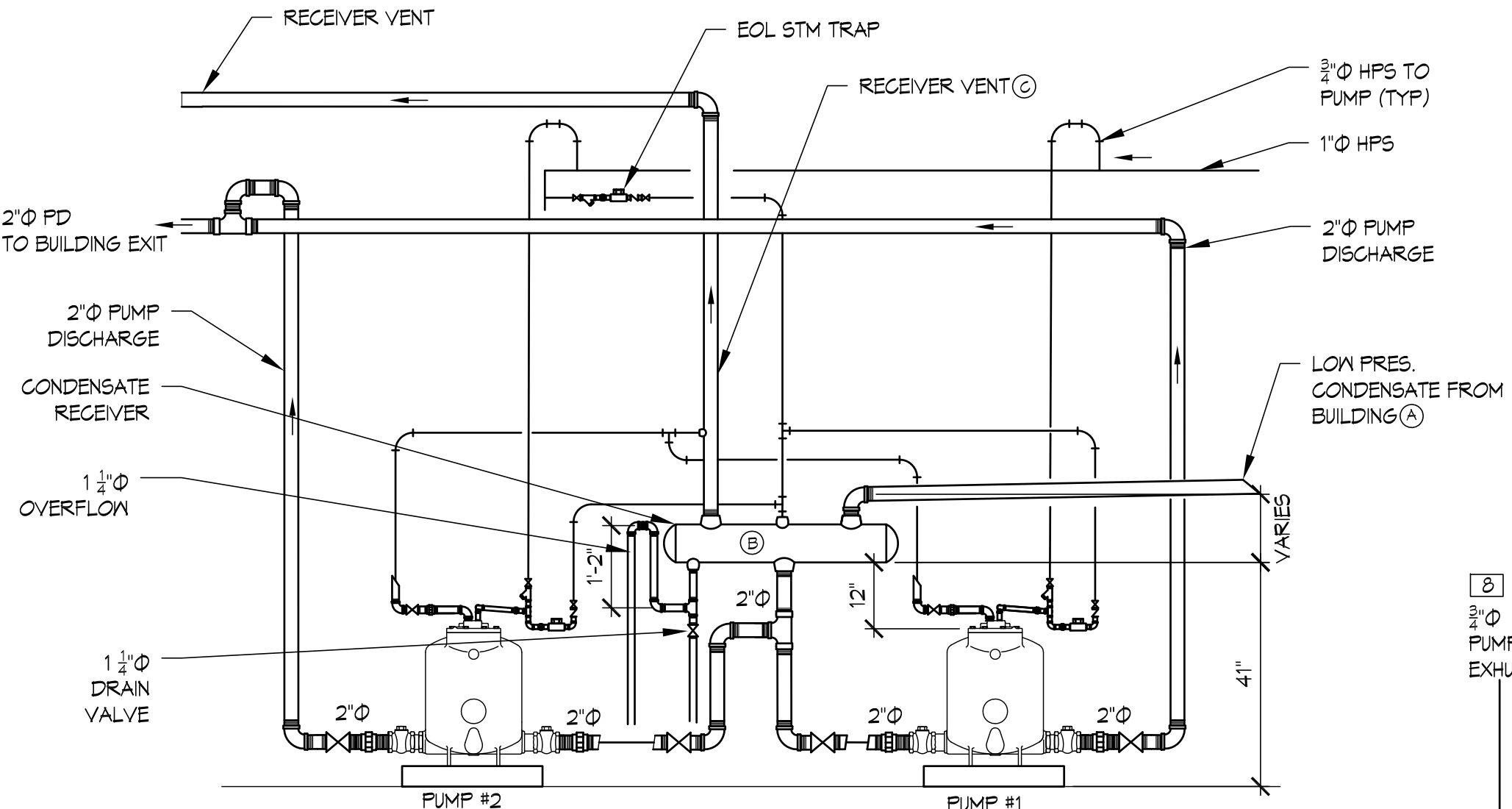
PRESSURE POWERED CONDENSATE PUMP
 INSTALLATION DETAILS
 MAINTENANCE
 CAMPUS FACILITIES
 UNIVERSITY OF MISSOURI-COLUMBIA

PROJECT NUMBER
NA

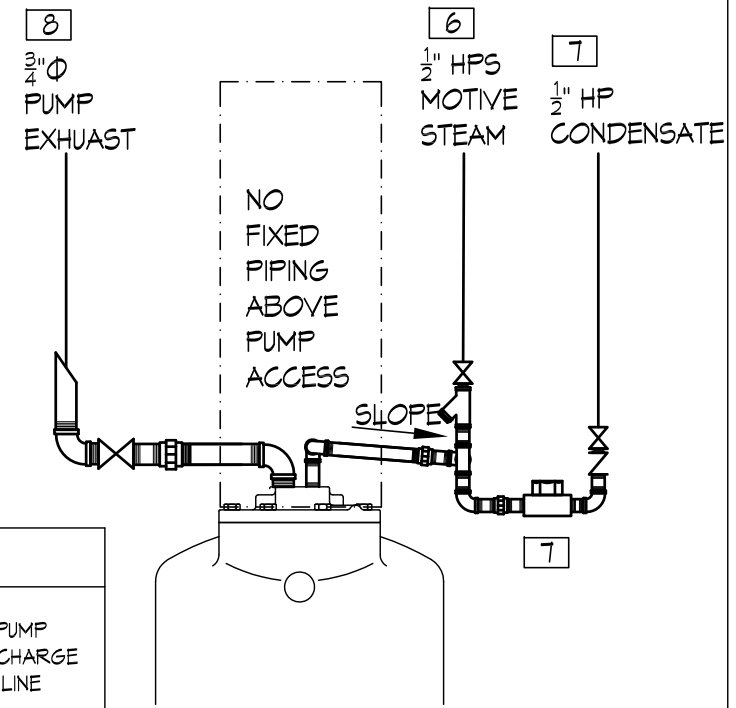
SHEET
3 of 3

KEYNOTES

1. LOW PRESSURE CONDENSATE FROM BUILDING HEATING EQUIPMENT, SEE TABLE COL. A
2. CONDENSATE RECEIVER. SEE RECEIVER SIZING TABLE COL. B
3. RECEIVER VENT. SEE VENT SIZING TABLE, COL. C PUMP INLET, 2"Ø
4. ROUTE RECEIVER VENT TO POINT OUTSIDE BUILDING
5. ROUTE PUMP DISCHARGE TO BUILDING EXIT
6. HP MOTIVE STEAM, 1/2"Ø. PROVIDE SWING JOINT AND SLOPE PIPING AWAY FROM PUMP.
7. THERMODYNAMIC STEAM TRAP, 1/2"Ø. ROUTE CONDENSATE DISCHARGE TO VENTED RECEIVER.
8. PUMP EXHAUST, 3/4"Ø ROUTE TO RECEIVER VENT.



DUPLEX PUMP ARRANGEMENT SHOWN. ELIMINATE PUMP #2 AND ASSOCIATED PIPING FOR SIMPLEX INSTALLATION



CONDENSATE PUMP SIZING AND DESIGN (FOR ENG'G USE ONLY)

BUILDING STEAM/CONDENSATE FLOW	SUGGESTED CONDENSATE LINE SIZE	CONNECTION AT TOP OF RECEIVER (AFF) (A)	COIL/HX STEAM SUPPLY PRESSURE	STEAM TRAP PRESSURE	FLASH STEAM (@ 3.76%)	RECEIVER SIZE (B)	VENT SIZE (C)	PUMP SIZE	MOTIVE STEAM/BACK PRESSURE (PSIG)	CONDENSATE FLOW (GPM)	PUMP DISCHARGE LINE
310	3/4"Ø	52"	15 psig	0.5	11.7	6"Ø X 36"	2"	2 X 2 PTC SIMPLEX	50 / 40	0.6	2"Ø
620	3/4"Ø	52"	15	0.5	23.4	6"Ø X 36"	2"	2 X 2 PTC SIMPLEX	50 / 40	1.2	2"Ø
930	1"Ø	52"	15	0.5	35.0	6"Ø X 36"	2"	2 X 2 PTC SIMPLEX	50 / 40	1.9	2"Ø
1800	1 1/4"Ø	52"	15	0.5	67.8	6"Ø X 36"	2"	2 X 2 PTC SIMPLEX	50 / 40	3.6	2"Ø
2925	1 1/2"Ø	52"	15	0.5	110.2	6"Ø X 36"	2"	2 X 2 PTC SIMPLEX	50 / 40	5.9	2"Ø
4680	2"Ø	54"	15	0.5	176.0	8"Ø X 36"	3"	2 X 2 PTC DUPLEX	50 / 40	9.4	2"Ø
6570	2 1/2"Ø	54"	15	0.5	247.5	8"Ø X 36"	3"	2 X 2 PTC DUPLEX	50 / 40	13.1	2"Ø
10290	3"Ø	56"	15	0.5	387.6	10"Ø X 36"	4"	3 X 2 PTC DUPLEX	50 / 40	20.1	2"Ø