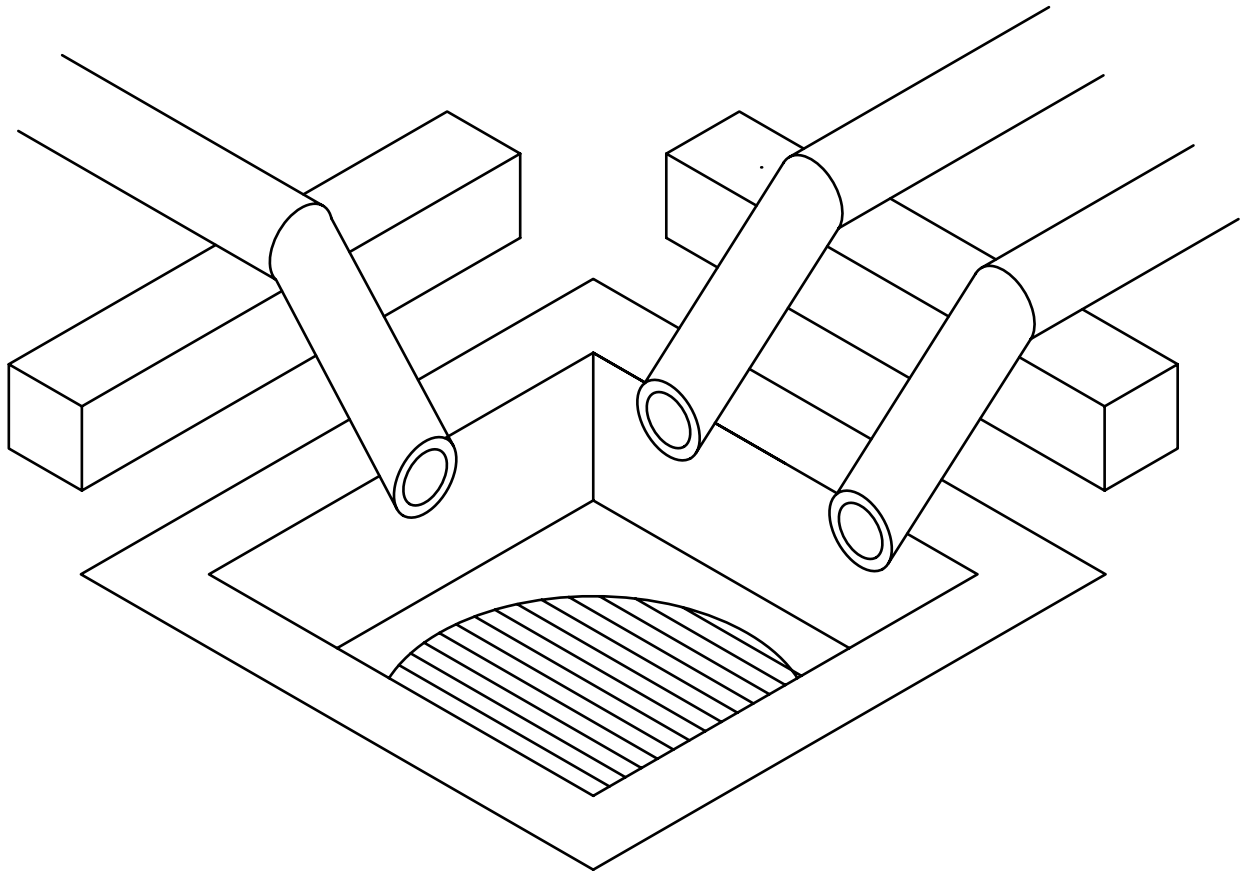


The Following Equipment
Requires a Floor Drain:
-Backflow Preventers
-Water Softeners
-Water Heaters
-Heat Exchangers
-Condensate Pumps



ZURN Z-566 12" OPEN TOP DRAIN

DATE:	
①	01.04.21
△	
△	
△	
DWN BY:	
CKD BY:	

MECHANICAL ROOM FLOOR DRAIN



CAMPUS FACILITIES – MAINTENANCE
UNIVERSITY OF MISSOURI

PROJECT NUMBER

SHEET

of